

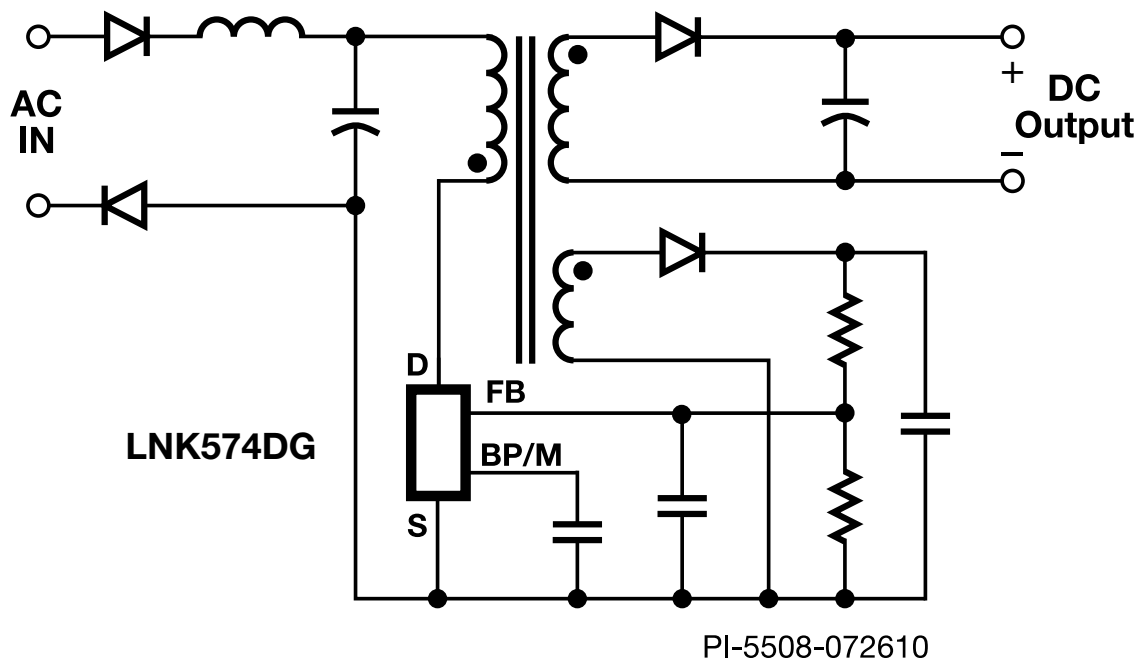
## LinkZero™-LP



### Key Features

- >5 mW no-load at 230 VAC
- Accurate IC parameter tolerances
- Improved system manufacturing yield
- Suitable for low-cost clampless designs
- Simple ON/OFF control, no loop compensation
- Constant efficiency to very light loads

### Zero No-Load Consumption Integrated Off-Line Switcher



## Applications

- Cell phones
- Adapters up to 5 W

## Output Power

Product	230 VAC ±15%		85-265 VAC	
	Adapter (W)	Open Frame (W)	Adapter (W)	Open Frame (W)
LNK574DG	3	3	3	3
LNK576DG	6	9	5	8



SO-8C (D package)

## Design Support

- Data Sheet                      [LinkZero-LP data sheet \(www.power.com/linkzero-lp-data-sheet\)](http://www.power.com/linkzero-lp-data-sheet)
- Design Example                [<5 mW no-load input power, 8 W standby power supply \(DER-417\) \(www.power.com/der-417\)](http://www.power.com/der-417)
- Design Example                [<5 mW no-load input power, 2.1 W CV/CC charger \(DER-258\) \(www.power.com/der-258\)](http://www.power.com/der-258)