

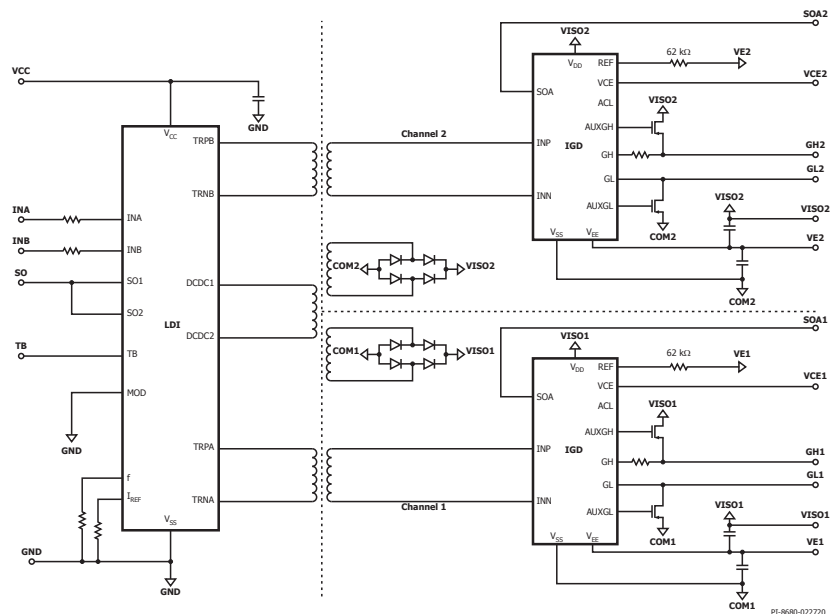
SCALE™ -2+ Gate Driver Core 2SC0106T

- Dual-channel driver core for blocking voltages up to 1200 V
- 6 A peak output gate current
- 2 x 1 W output power
- High reliability (reduced component count)
- IGBT short-circuit protection
- Switching frequency up to 50 kHz

E321757



Dual-Channel Gate Driver Core for 1200 V IGBTs



Applications

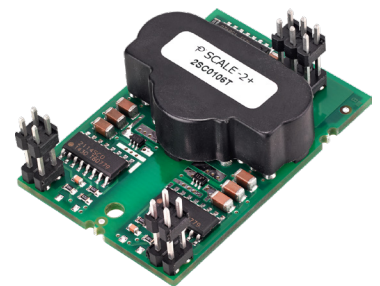
- Industrial motor drives
- Uninterruptible power supplies (UPS)
- Photovoltaic inverters
- Commercial e-mobility (E-bus, E-truck, CAV)
- Medical (MRT, CT, X-ray)
- Welding

Certifications

- Reinforced isolation according to IEC 61800-5-1 and IEC 60664-1
- UL-recognized under E321757 for UL 61800-5-1

Product Details

Parameter	Min	Typical	Max	Unit
Nominal supply voltage		15		V
Supply current @ $f_{in} = 0$ Hz		40		mA
Supply current, full load			300	mA
Output power per channel			1	W
Gate voltage		+15 / -8		V
Peak output current (gate current)	-6		+6	A
Switching frequency (f_s)	0		50	kHz
Duty cycle	0		100	%
Creepage distance primary-secondary	9			mm
Clearance distance primary-secondary	9			mm
Dielectric test voltage	4000			V_{RMS}
Partial discharge extinction voltage	1800			V_{PEAK}
dv / dt immunity, input-to-output			50	kV/ μ s
Operating temperature	-40		+105	$^{\circ}$ C



Design Support

Available Products 2SC0106 Products list (www.power.com/2SC0106)